

MODEL C05-2000

Calender adapt for continuous fabrics:

- Transfer printing
- Direct inks reactivation
- Thermosetting – heatsetting
- Heatsetting of “crush” effect

1. CHARACTERISTICS OF HEATING CYLINDER:

- 1.1. Diameter : 500 mm (19,70”).
- 1.2. Width : 2.000 mm (78,74”).
- 1.3. Working Width: 1.800 mm (70,87”).

2. HEATING SYSTEM AND TEMPERATURE CONTROL:

- 2.1. The cylinder is heated by one resistor (heating element) in a vacuum sealed oil bath, in complete absence of air and pressure. MONTI ANTONIO S.p.A. system.
- 2.2. The temperature of the cylinder is set up by the touch screen and regulated by an electronic card. The temperature control is equipped with an alarm system and a limitation system of maximum temperature (230 °C).

3. TENSION CONTROLS:

3.1. Tension control for printing material:

- Entry: axial unwinding with disk brake with pneumatic adjustment and fabric manual brake.
- Exit: double roll tangential winding, with possibility of soft or hard winding by transmission management, control by potentiometer.

3.2. Tension control for printing paper:

- Entry: axial unwinding with disk brake with pneumatic adjustment.
- Exit: axial winding with independent motor, adjustable by touch-screen.

3.3. Tension control for protection paper:

- Entry: axial unwinding with disk brake with pneumatic adjustment.
- Exit: axial winding with independent motor, adjustable by touch-screen.

4. OTHER DEVICES INTO MACHINE:

- 4.1. Independent motors with an electronic synchronization system
- 4.2. NOMEX felt with pneumatic tension adjustment system and felt-centring device by means of motorized electric linear actuator.
- 4.3. Incorporated system for felt protection in case of black out and/or compressed air lack.
- 4.4. Multifunctional electronic meter-counter, with alarm to predetermine the length of production runs
- 4.5. Temperature cooling system for printed fabric exit, complete with fan
- 4.6. General management of the machine, including temperature control by adjustable PLC for the memorization of production data
- 4.7. Front touch-screen keyboard for production data access and programming

5. ROLLS DIAMETER MACHINE WITHOUT OPTIONS:

- Fabric roll diameter in entry 400 mm (15,75”).
- Fabric roll diameter in exit 400 mm (15,75”).
- Printing paper roll diameter in entry 250 mm (9,84”) - Larger diameters on request.
- Printing paper roll diameter in exit 250 mm (9,84”) - Larger diameters on request.
- Protection paper roll diameter in entry 400 mm (15,75”).
- Protection paper roll diameter in exit 400 mm (15,75”).

All data and technical features are purely indicative, subjected to changes without prior notice and refer to standard machines without options

MODEL C05-2000

6. TECHNICAL DATA:
 - 6.1. Installed power: 32,2 kW
 - 6.2. Average electric consumption: 22,3 kW/h
 - 6.3. Compressed air pressure: 6-8 bar
 - 6.4. Mechanic speed: 0.5 - 7.5 m/min
 - 6.5. Overall dimensions (with platform): width 3.500 mm (137,80"). length 2.920 mm (115"). height 2.190 mm (86,22").
 - 6.6. Net weight: 2.935 kg
 - 6.7. Machine produced according to CE rules
 - 6.8. Customs tariff: 84 51 80 30
 - 6.9.

All data and technical features are purely indicative, subjected to changes without prior notice and refer to standard machines without options

INNOVATION
SPEED
FLEXIBILITY
PROJECT&DESIGN
INSTALLATION AND ASSISTANCE

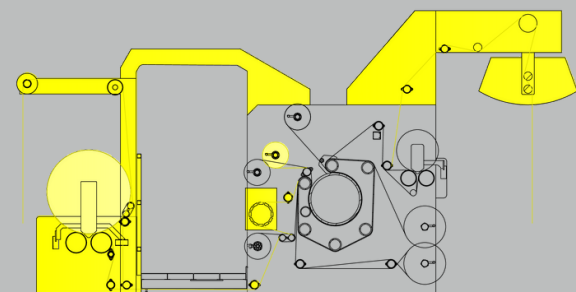
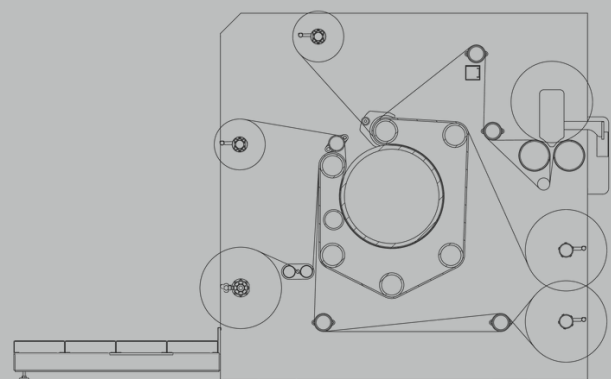


Monti Antonio S.p.A.
Head Office: via dell'Electronica n°5, 36016 Thiene (VI) Italy
Operation and Administration: via della Fisica n°6, 36016 Thiene (VI) Italy
T. +39 0445 364619 +39 0445 364707 - sales@montiantonio.com
www.montiantonio.com

TECHNICAL DATA

C05

PRINTING



STANDARD

WITH OPTIONS

	mm	2000	2600	3000	3600	4400	5400
Cylinder width	mm	2000	2600	3000	3600	4400	5400
Tavola cilindro	inch	78.74	102.36	118.11	141.73	173.23	212.59
Working width	mm	1800	2400	2800	3400	4200	5200
Tavola utile	inch	70.87	94.49	110.24	133.86	165.35	204.72
Heating cylinder diameter	mm	500	500	500	500	500	500
Diametro cilindro riscaldato	inch	19.69	19.69	19.69	19.69	19.69	19.69
Installed power/Potenza installata	kW	32.2	34.5	39.8	49.7	62.2	66
Average consumption/Consumo medio	kW/h	22.53	24	27.6	34	42.6	45
Power in ECONOMY MODE	kW	-	-	-	27.2	34.2	36
Potenza in modalità ECONOMY							
Mechanical speed / Velocità meccanica	m/min	0.5 ÷ 7.5	0.5 ÷ 7.5	0.5 ÷ 7.5	0.5 ÷ 7.5	0.5 ÷ 7.5	0.5 ÷ 7.5
Net weight / Peso netto	Kg	2935	3420	5350	5750	8000	14000



ALL DATA AND TECHNICAL FEATURES ARE PURELY INDICATIVE, SUBJECTED TO CHANGES WITHOUT PRIOR NOTICE AND REFER TO STANDARD MACHINES WITHOUT OPTIONS. PICTURES SHOWN ARE STOCK IMAGES AND MAY INCLUDE OPTIONS NOT INCLUDED AS STANDARD.

I DATI E LE CARATTERISTICHE TECNICHE SONO PURAMENTE INDICATIVI, SOGGETTI A VARIAZIONE SENZA OBBLIGO DI PREAVVISO E RELATIVI A MACCHINE SENZA OPTIONAL. LE FOTO INSERITE SONO IMMAGINI A STOCK E POSSONO INCLUDERE OPTIONAL NON COMPRESI DI SERIE.

©2022 Monti Antonio S.p.A.
All rights reserved



INNOVATION
SPEED
FLEXIBILITY
PROJECT&DESIGN
INSTALLATION AND ASSISTANCE

Monti Antonio S.p.A.
Head Office: via dell'Elettronica n°5, 36016 Thiene (VI) Italy
Operation and Administration: via della Fisica n°6, 36016 Thiene (VI) Italy
T. +39 0445 364619 +39 0445 364707 - sales@montiantonio.com
www.montiantonio.com